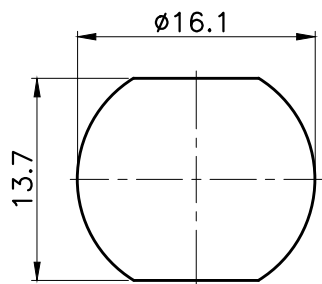
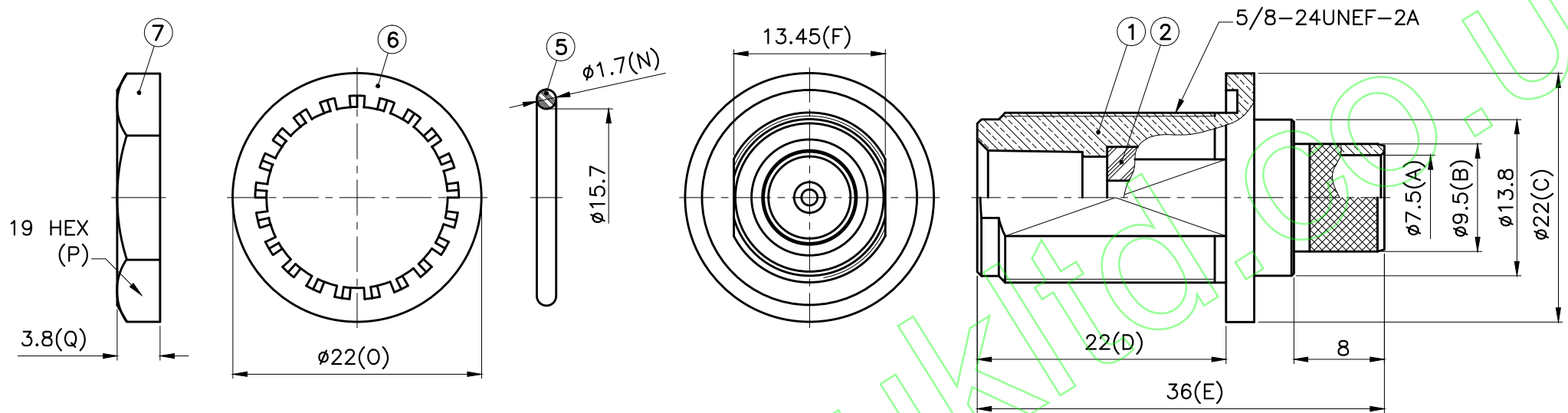
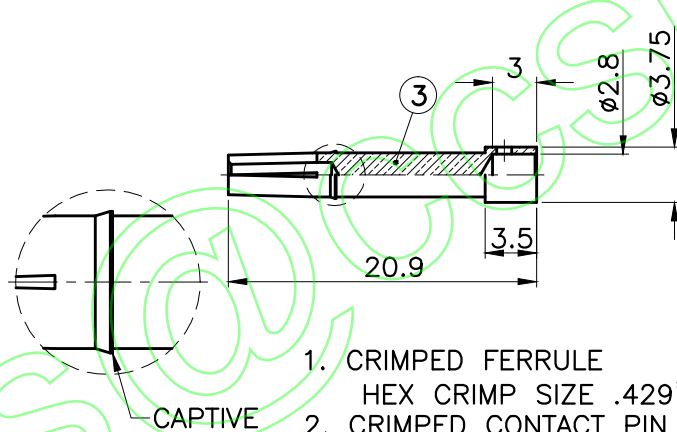


REVISIONS		
ISS	DESCRIPTION	DATE

RoHS COMPLIANT



PANEL HOLE



- 1. CRIMPED FERRULE  
HEX CRIMP SIZE .429"
- 2. CRIMPED CONTACT PIN  
HEX CRIMP SIZE .128"

RECOMMENDED  
CABLE STRIPPING DIM'S

CONNECTORS CABLES



SPECIALISTS LTD.

TITLE: N FEMALE BULKHEAD CRIMP  
(FOR LMR400)

PART NO: NBJCR519

030

DATE: 01/12/15"

UNIT: mm

DRAWING NO:

SHEET: .

SCALE: 2/1

NO.	DESCRIPTION	MATERIAL	FINISH
7	NUT	BRASS	NICKEL
6	WASHER	BRASS	NICKEL
5	GASKET	RUBBER	RED
4	FERRULE	BRASS	NICKEL
3	CONTACT PIN	BRASS	GOLD
2	INSULATOR	TEFLON	WHITE
1	BODY	BRASS	NICKEL
NO.	DESCRIPTION	MATERIAL	FINISH